

# J2K100

## J1939 to NMEA 2000® Gateway

The J2K100 attaches directly into J1939 networks of compatible engines, transmissions and gensets and converts the J1939 data to the marine digital interface (NMEA 2000®). Critical engine, transmission, and genset data is then distributed throughout the vessel over a single cable where it can be monitored by any NMEA 2000® compatible display.

The J2K100 can also be used as part of a complete fuel computer. Simply connect the J2K100 together with Maretron universal displays (DSM Series, N2KView®) and GPS antenna/receiver (GPS200) and you have a system capable of displaying gallons per hour and/or miles per gallon.

### The J2K100 converts the following information:

- AC Generator Current
- AC Generator Frequency
- AC Generator Voltage
- Tachometer
- Engine Hours
- Coolant Pressure
- Coolant Water Temperature
- Dometic HVAC
- Dometic Icemaker
- Engine Oil Pressure
- Engine Oil Temperature
- Boost Pressure
- Fuel Rate Monitoring
- Charging Voltage
- Percent Engine Load
- Percent Engine Torque
- Rated Engine Speed
- VIN
- Software ID
- Transmission Gear
- Transmission Oil Pressure
- Transmission Oil Temperature



Available accessories for the J2K100:



MCF-2M-D4



MCF-2M-D12



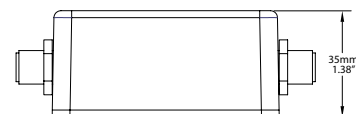
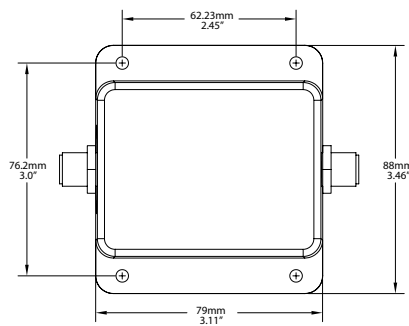
MCF-2M-D12CAT



N2KView® Engine Screen



DSM Series Screen Shots



### PRODUCTS

PART NUMBER	DESCRIPTION
J2K100-01	J1939 to NMEA 2000® Gateway
MCF-2M-D4	J2K100 adapter Micro female to Deutsch 4 Pin 2 Meter Cordset
MCF-2M-D12	J2K100 adapter Micro female to Deutsch 12 Pin 2 Meter Cordset
MCF-2M-D12CAT	J2K100 adapter Micro female to Deutsch 12 Pin 2 T cable

## SPECIFICATIONS (J1939 Data Translated to NMEA 2000® Data)

J1939 SPN/PGN	DESCRIPTION	NMEA 2000® PGN
190 / 61444	Engine Speed	127488
102 / 65270	Engine Turbocharger Boost Pressure	127488
100 / 65263	Engine Oil Pressure	127489
175 / 65262	Engine Oil Temperature 1	127489
110 / 65262	Engine Coolant Temperature	127489
167 / 65271	Alternator Potential (Voltage)	127489
183 / 65266	Engine Fuel Rate	127489
247 / 65253	Engine Total Hours of Operation	127489
109 / 65263	Engine Coolant Pressure	127489
94 / 65263	Engine Fuel Delivery Pressure	127489
92 / 61443	Engine Percent Load at Current Speed	127489
513 / 61444	Actual Engine – Percent Torque	127489
189 / 65214	Engine Rated Speed	127498
237 / 65260	Vehicle Identification Number	127498
234 / 65242	Software Identification	127498
523 / 61445	Transmission Current Gear	127493
127 / 65272	Transmission Oil Pressure	127493
177 / 65272	Transmission Oil Temperature	127493

## CERTIFICATIONS

PARAMETER	COMMENT
NMEA 2000® Standard	Level B+
Maritime Navigation and Radio Communication Equipment & Systems	IEC 61162-3
Maritime Navigation and Radio Communication Equipment & Systems	IEC 60945
FCC and CE Mark	Electromagnetic Compatibility

## ELECTRICAL

PARAMETER	VALUE	COMMENT
Operating Voltage	9 to 32 Volts	DC Voltage
Power Consumption	< 150mA	Average Current Drain
Load Equivalence Number (LEN)	3	NMEA 2000® Spec. (1LEN = 50mA)
Reverse Battery Protection	Yes	Indefinitely
Load Dump Protection	Yes	Energy Rated per SAE J1113

## NMEA 2000® PARAMETER GROUP NUMBERS (PGNs)

DESCRIPTION	PGN#	PGN NAME	DEFAULT RATE
Periodic Data PGNs	127488	Engine Parameters, Rapid Update	10 times/second
	127489	Engine Parameters, Dynamic	1 time/second
	127498	Engine Parameters, Static	N/A
	127493	Transmission Parameters, Dynamic	10 times/second
	65030	J1939 Generator Average Basic AC Quantities	10 times/second
	65226	J1939 Diagnostic Message #1	N/A
	65227	J1939 Diagnostic Message #2	N/A
	65228	J1939 Diagnostic Message #3	N/A
	65229	J1939 Diagnostic Message #4	N/A
	65230	J1939 Diagnostic Message #5	N/A
	65231	J1939 Diagnostic Message #6	N/A
	65232	J1939 Diagnostic Message #8	N/A
	65234	J1939 Diagnostic Message #10	N/A
Response to Request PGNs	126464	PGN List (Transmit and Receive)	N/A
	126996	Product Information	N/A
	126998	Configuration Information	N/A
	059392	ISO Acknowledge	N/A
Protocol PGNs	059904	ISO Request	N/A
	060928	ISO Address Claim	N/A
	065240	ISO Address Command	N/A
	126208	NMEA Request/Command/Acknowledge	N/A
Maretron Proprietary PGNs	126720	Device Configuration Information	N/A
	130818	Device Label	N/A
	130828	Dometic HVAC Status	N/A
	130830	Dometic Icemaker Status	N/A

## MECHANICAL

PARAMETER	VALUE	COMMENT
Size	3.11" x 3.46" x 1.38" (79mm x 88mm x 35mm)	Including Flanges for Mounting
Weight	8 oz. (227 g)	

## ENVIRONMENTAL

PARAMETER	VALUE
IEC 60945 Classification	Exposed
Degree of Protection	IP67
Operating Temperature	-25°C to 55°C
Storage Temperature	-40°C to 70°C
Relative Humidity	93%RH @40° per IEC60945-8.2
Vibration	2-13.2Hz @ ±1mm, 13.2-100Hz @ 7m/s² per IEC 60945-8.7
Rain and Spray	12.5mm Nozzle @ 100liters/min from 3m for 30min per IEC 60945-8.8
Solar Radiation	Ultraviolet B, A, Visible, and Infrared per IEC 60945-8.10
Corrosion (Salt Mist)	4 times 7days @ 40°C, 95%RH after 2 hour Salt Spray Per IEC 60945-8.12
Electromagnetic Emission	Conducted, Radiated Emission per IEC 60945-9
Electromagnetic Immunity	Conducted, Radiated, Supply, and ESD per IEC 60945-10
Safety Precautions	Dangerous Voltage, Electromagnetic Radio Frequency per IEC 60945-12

**The J2K100 is compatible with any engine, transmission, or genset equipped with a J1939 interface, including products from the following manufacturers:**

- Caterpillar
- Cummins
- Detroit Diesel
- John Deere
- Kohler
- Northern Lights
- Onan
- Perkins
- Steyr
- Volvo Penta
- Yanmar